



qvi30fb  
GAS FIREBRICK® FIREPLACE

**QUADRA-FIRE**®  
NOTHING BURNS LIKE A QUAD



# qvi30fb



← Town Square with cabinet doors shown in black. Also available in hammered pewter.



→ Sun Prairie with cabinet doors shown in hammered pewter. Also available in black.

**Cover Photo:** qvi30fb with Tudor Panel front in black with antique pewter accents

**FireBrick® technology** from Quadra-Fire offers you a stunning new alternative for upgrading your existing fireplace. Utilizing a new patented process, the firebox and interior brick lining are molded from FireBrick material to capture that traditional wood fireplace look. This seamless firebox construction also allows us to use larger glass, giving you a better view into those soothing flames and logs. This quiet and durable material is extremely efficient. FireBrick pushes the heat into the room instead of absorbing and losing heat into the fireplace itself. Three front options are available in several finishes to help you complement your original fireplace and room décor. The model qvi30fb will operate during an electrical power outage and is the best choice for high efficiency and heat output in mid-size fireplaces.

### Standard Features

- 396 sq. in. of viewing glass
- High efficiency FireBrick firebox
- Variable speed blower (160 cfm)
- Six-piece glowing log set
- Tapered firebox
- Decorative andirons
- Adjustable flame
- Quiet operation
- Bedroom approved



Affinity Arch available only in black



Chapel Hill shown in hammered pewter. Also available in black and sienna bronze



Tudor Panel shown in black with antique pewter accents. Also available in black, sienna bronze & sienna bronze with antique copper accents



Tuscan Bar shown in sienna bronze with antique copper bars & brackets. Also available in black with antique pewter bars & brackets

### Options

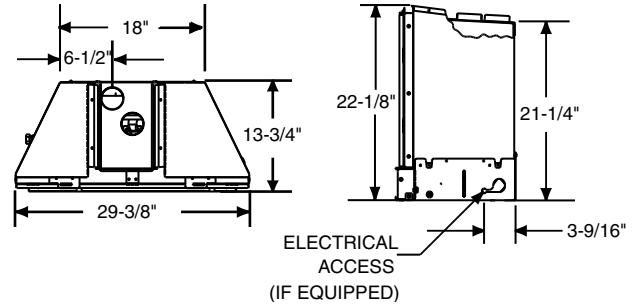
- Seven available fronts
  - Affinity Arch – Chapel Hill
  - Sun Prairie – Town Square
  - Tudor Panel – Tuscan Bar
  - Remington Avenue (not shown)
- Three panel sizes
  - Standard (40" x 27")
  - Medium (40" x 32")
  - Large (44" x 32")
- Adjustable hearth support
- Cutting edge surround
- Three remote controls, including On/Off with digital thermostat control
- Two wall thermostats

Cover photo: qvi30fb shown with Remington front in black finish and cutting edge surround

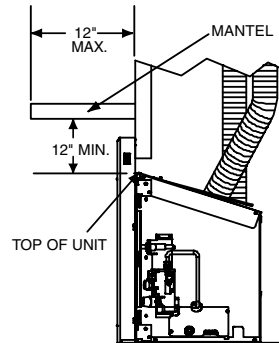


1445 North Highway, Colville, WA 99114  
www.quadrafire.com • 800-926-4356  
QDF-1013U-0909

### Dimensions



### Clearances



### MINIMUM FIREPLACE SIZE

Location	inches	millimeters
Front Width	30-1/4	768
Rear Width	19	483
Depth	14-1/8	359
Height*	22-1/2	572

\*NOTE: If exhaust collar on insert and fireplace damper do not line up, add 4 inches (102 mm) to minimum fireplace height for bends in vent pipe.

### Technical & Performance Data

- Width (front)..... 29 3/8"
- Width (back)..... 18"
- Height (back)..... 21 1/4"
- Depth ..... 13 3/4"
- Shipping Weight..... 110 lbs.
- Flue Size ..... Dual 3" Direct Vent Chimney Liner
- Heating Capacity\* ..... up to 1,800 sq. ft.
- BTU Input NG ..... 27,000 – 38,000
- BTU Input LP ..... 22,000 – 36,000
- Efficiency\* ..... up to 79% NG/81% LP

The strongest in the industry, Quadra-Fire provides a limited lifetime warranty on gas-burning products for their most important aspects: firebox and heat exchanger.

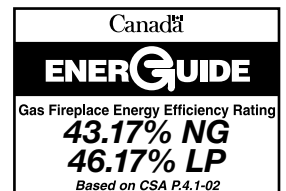
For full warranty details go to [www.quadrafire.com](http://www.quadrafire.com)



### IMPORTANT - READ BEFORE YOU INSTALL!

Refer to the Owner/Installation Manual for complete clearance requirements and specifications. The images and descriptions in this brochure are provided to assist you in product selection only. \*Heating capacity rating and efficiencies are to be used as a guideline only. Actual performance may differ slightly due to climate, building construction and condition, amount and quality of insulation, location of the heater, and air movement in the room.

Quadra-Fire is a registered trademark of Hearth & Home Technologies. Product specifications and pricing subject to change without notice. The Quadra-Fire qvi30fb direct vent gas fireplace heater is listed by Underwriters Laboratories and is approved for Canada and USA to ANSI Z21.88-2002/CSA 2.33-2002, Vented Gas Fireplace Heaters, and UL307B.



Available From: