



SAPPHIRE[®] CAST IRON
DIRECT VENT GAS STOVE

QUADRA-FIRE[®]
NOTHING BURNS LIKE A QUAD

Sapphire shown with solitaire front and optional warming shelves with gold mitten rods



SAPPHIRE®



Brighten your home with the glow of a Sapphire. Traditional cast iron construction is teamed with advanced flame technology to create a beautiful and functional gas heater. Our exclusive TrueGlow burner and a log set cast from real pieces of wood create a highly realistic flame. High efficiency and great heat output keep your heating costs low, too.

A number of options are available to suit your personal tastes. The unique Quartet front looks great with the doors opened or closed, or choose the cleaner open style of the Solitaire front (matte black only). Select the classic black, porcelain mahogany, baked enamel sienna bronze or willow finish, then add warming shelves for extra charm and functionality, a blower for improved heating, and even a remote control for convenience. And, with both top and rear direct-venting options, you can install your new Sapphire almost anywhere.

Standard Features

- Strength & beauty of cast iron
- Matte black finish
- Top vent (optional rear)
- Beautiful pyro-glo logs
- Natural convection heater
- Heats without power
- Bedroom/mobile home approved
- Limited lifetime warranty

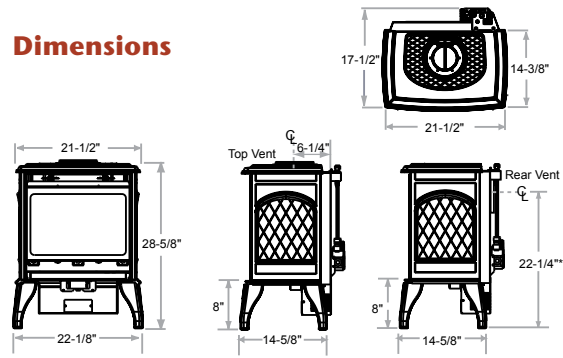


Options

- Mahogany porcelain finish
- Sienna bronze & willow baked enamel finish
- Solitaire or Quartet fronts (Solitaire in matte black only)
- Decorative firescreen (Quartet only)
- Gold trim (Solitaire only)
- Warming shelves
- Warming shelf brackets with mitten rods (black or gold)
- Variable speed blower
- Rear vent conversion kit
- Wall thermostat
- Remote control

Cover photo: Sapphire shown in porcelain mahogany finish with optional Quartet front

Dimensions

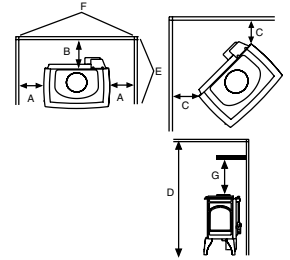


If heater is equipped with Hearth legs kit, center-line dimension is reduced by 3".

Side and top diagrams show heater equipped with optional Blower, part # 844-9030.

Clearances

- A Side of stove top to side wall..... 6"
- B Rear of stove top to back wall..... 3"
- C Corner of stove top to side wall..... 1"
- D Minimum alcove height 54"
- E Maximum alcove depth 36"
- F Minimum alcove width 36"
- G Mantle clearance from stove top .. 23"



Technical & Performance Data

Weight (solitaire front)..... 190 lbs.
 Flue size6-5/8"
 Standing pilot ignition..... Yes
 Mobile home approved Yes
 Convection blower 160 cfm

Heating capacity.. up to 1,500 sq. ft.*
 Btu/Hour Input:
 NG..... 21,000 – 30,000 Top Vent
 18,000 – 26,000 Rear Vent
 LP 24,500 – 30,000 Top Vent
 20,000 – 26,000 Rear Vent

U.S. Efficiencies

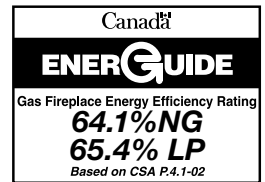
Steady State - Since most homeowners use their appliance for an extended time while they are in the room, Steady State measure how efficiently your appliance converts fuel to heat once it is warmed up and running in a "steady state".

AFUE - AFUE rating is more typically used with appliances, like your furnace, that continually cycle on and off to maintain a constant temperature.

U. S. EFFICIENCIES			
Steady State		AFUE	
NG	LP	NG	LP
83.39	81.92	68.5 Top Vent 71.4 Rear Vent	71.5 Top Vent 75.4 Rear Vent

Canada Efficiencies

EnerGuide (CSA P.4.1-02) - EnerGuide is a rating used in Canada to measure annual efficiency.



Limited Lifetime Warranty**

The strongest in the industry, Quadra-Fire provides a limited lifetime warranty on the most important aspects: firebox and heat exchanger.

** For full warranty details go to www.quadrafire.com

IMPORTANT - READ BEFORE YOU INSTALL!

Refer to the Owner/Installation Manual for complete clearance requirements and specifications. The images and descriptions in this brochure are provided to assist you in product selection only. *Heating capacity rating is to be used as a guideline only. Actual performance may differ slightly due to climate, building construction and condition, amount and quality of insulation, location of the heater, and air movement in the room.

Quadra-Fire is a registered trademark of Hearth & Home Technologies. Product specifications and pricing subject to change without notice. The Quadra-Fire Sapphire direct vent gas appliance listed to ANSI standard Z21.88a-2000/CSA 2.33a-M00 Vented Gas Fireplace Heaters and applicable sections of UL307b Gas Burning Heating Appliances for Manufactured Homes and Recreational Vehicles, CAN/CGA 2.17-M91 "Gas Fired Appliances for Use at High Altitude," by OMNI-Test Laboratories, Inc., Beaverton, OR.

Available From:



1445 North Highway, Colville, WA 99114
www.quadrafire.com • 800-926-4356
 QDF-1006U-1009