

Part number list on following page.

IMPORTANT: THIS IS DATED INFORMATION. When requesting service or replacement parts for your appliance please provide model number and serial number. All parts listed in this manual may be ordered from an authorized dealer.

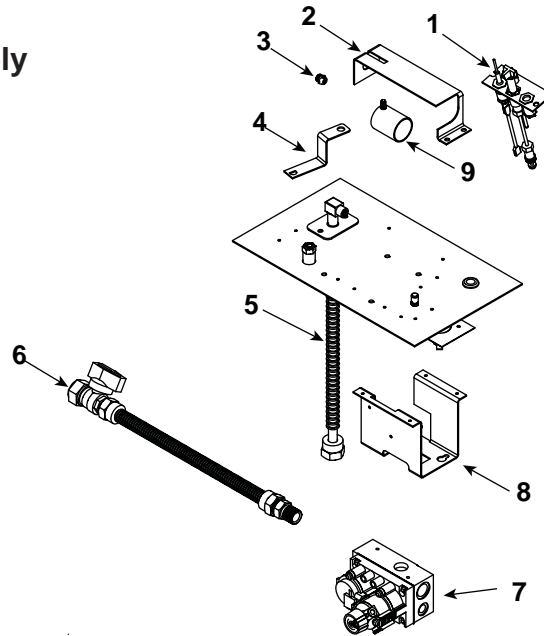


**Stocked
at Depot**

ITEM	DESCRIPTION	COMMENTS	PART NUMBER	
	Log Set Assembly		LOGS-2062	Y
1	Log 1		SRV2062-701	
2	Log 2		SRV2062-702	
3	Log 3		SRV2062-703	
4	Log 4		SRV330-706	
5	Log 5		SRV330-704	
6	Log 6		SRV340-705	
7	Kapton Lens	Pre 002618815	2062-149	
		Post 002618815	2062-252	
8	Burner NG	Pre Feb 2006	SRV2062-004-NG	Y
	If ordering SRV must also order Log SRV2062-701	Post Feb 2006	2062-004	Y
	Burner LP	Pre Feb 2006	SRV2062-004-LP	Y
	If ordering SRV must also order Log SRV2062-701	Post Feb 2006	2062-004	Y
9	Light Bulb	Pre Sept 2007	700-540	y
	Ember Bulb 20W	Post Sept 2007	2088-136	Y
10	Light Assembly	Pre Sept 2007	2062-073	
		Post Sept 2007	2141-041	
11	Grate Assembly		2062-080	
12	Glass Door Assembly		GLA-2062	Y
13	Blower		GFK-160A	
14	Control Module		593-592	Y
15	Shutter Arm Bottom		2062-133	
16	Access Plate		2062-156	
	Battery Pack		593-594A	Y
	Fiberglass Rope		060-455	
	Glass Latch Assembly		386-122A	Y
	Junction Box		4021-013	Y
	Multi Function Wall Switch Kit		QWSK-MLT	
	Non-combustible Board		2062-085	
	On/Off Rocker Switch		060-521A	Y
	Patch Kit		SRV-PACK	
	Surround		2026-108	
	Vermiculite Embers		MYSTIC-EMBERS	
	Wire Assembly		593-590A	Y

Additional service part numbers appear on following page.

Standing Pilot Valve Assembly



IMPORTANT: THIS IS DATED INFORMATION. When requesting service or replacement parts for your appliance please provide model number and serial number. All parts listed in this manual may be ordered from an authorized dealer.



**Stocked
at Depot**

ITEM	DESCRIPTION	COMMENTS	PART NUMBER	
1	Pilot Assembly NG	Pre Feb 2006	4021-025	Y
		Post Feb 2006	2090-012	Y
	Pilot Assembly LP	Pre Feb 2006	4021-026	Y
		Post Feb 2006	2090-013	Y
2	Burner Support		2062-130	
3	Orifice NG (#32C)		582-832	Y
	Orifice LP (#50C)		582-850	Y
4	Shutter Arm		2062-132	
5	Flexible Gas Connector		383-302A	Y
6	Flex Ball Valve Assembly		302-320A	Y
7	Valve NG		750-500	Y
	Valve LP		750-501	Y
8	Valve Bracket		2062-152	
9	Shutter Bracket Assembly		319-316A	Y
	Wire Harness 20"		107-559A	Y
	Temp Sensor		107-531	Y
	Conversion Kit NG		NGK-2062	Y
	Conversion Kit LP		LPK-2062	Y
	Pilot Orifice NG	Pre Feb 2006	446-505	Y
		Post Feb 2006	593-528	Y
	Pilot Orifice LP	Pre Feb 2006	446-517	Y
		Post Feb 2006	593-527	Y
	Regulator NG		NGK-DXV	Y
	Regulator LP		LPK-DXV	Y